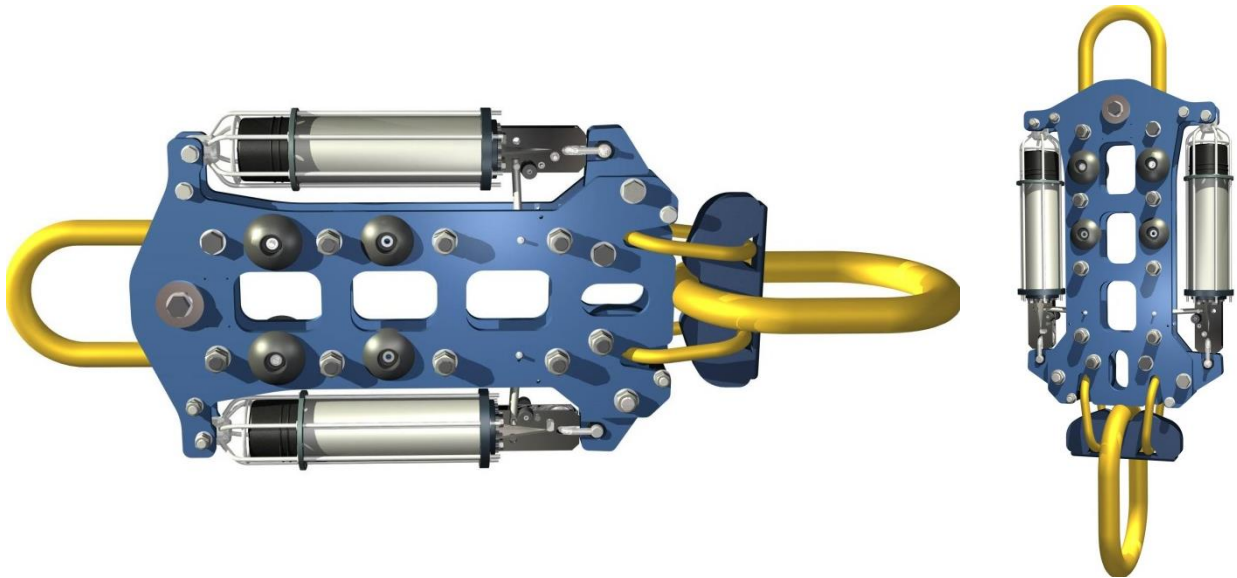


Datasheet

15 Tonne Heavy Duty Acoustic Release Frame



Description

The 7869-000-05 Dual Heavy Duty Acoustic Release Frame has been designed as optional extra for Sonardyne's popular Type 7409 Oceanographic Release Transponders (ORTs) and Type 7710 Deep Oceanographic Release Transponders (DORTs).

The release frame increases the Safe Working Load (SWL) of a pair of standard ORTs or DORTs to 15 tonnes (at 4:1 safety factor) with a breaking load of 60 tonnes. The system also offers dual redundancy in releasing the load; as either of the ORTs or DORTs fitted to the frame can be commanded to release the load. The frame can be fitted without any modification to the acoustic release itself and is easily assembled in the field.

Manufactured from high strength steel which is galvanised and painted, the releases offer excellent corrosion resistance. Depth rating is solely dependant upon the acoustic release being used; 2,000 metres for an ORT or 6,000 metres for a DORT.

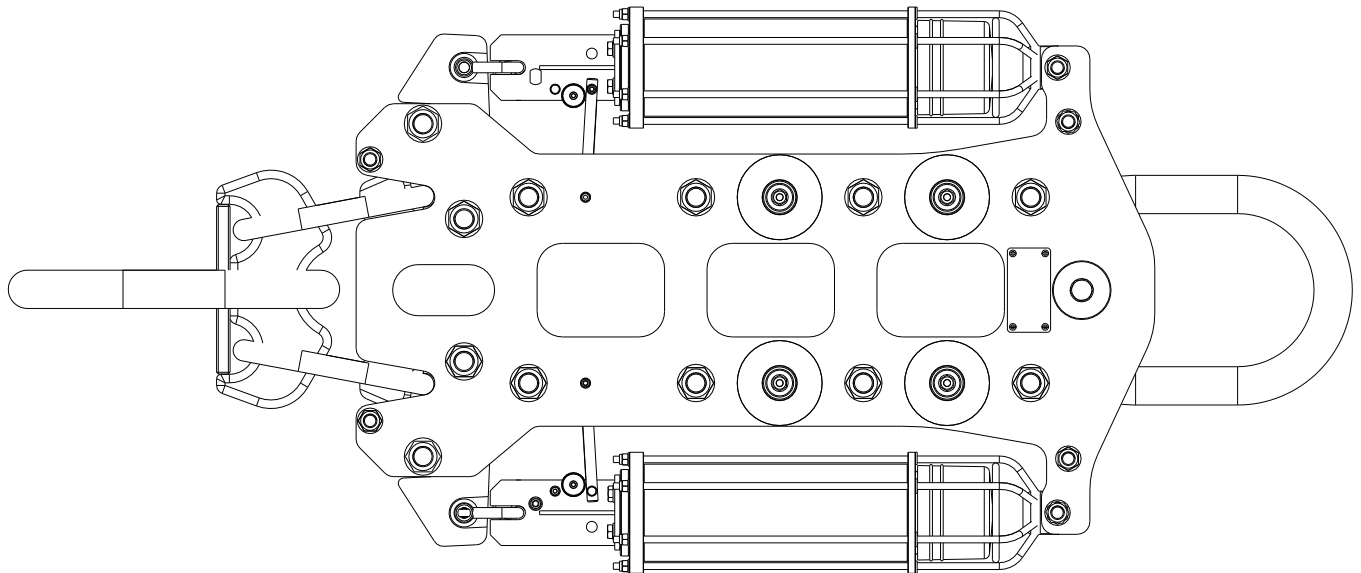
Applications for which the acoustic releases have been developed include; construction activities, marine salvage, defence and oceanographic research.

Key Features

- Safe Working Load of 15 tonnes
- Up to 60 tonnes Breaking Load
- Designed around proven ORT and DORT acoustic releases
- Dual redundant acoustics
- Galvanically isolated from acoustic release to maximise corrosion resistance
- Uses Industry standard master links

Specifications

15 Tonne Heavy Duty Acoustic Release Frame



Feature	Type 7869-000-05
Depth Rating (Dependant on ORT or DORT)	2,000 Metres or 6,000 Metres
Working Load Limit (at 4:1 Ratio)	15 Tonnes
Maximum Safe Release Load	11 Tonnes
Breaking Load	60 Tonnes
Proof Load (Note: A Proof Test Certificate is available upon request)	30 Tonnes
Mechanical Construction	Galvanised Steel, Painted
Dimensions (With DORT, including lifting rings) (LxWxH)	1568 mm (61.7") x 270 mm (10.6") x 670mm (26.4")
Weight of Frame in Air	111 kg
Weight of Frame in Air (with a pair of DORTs)	155 kg

Ordering Information

Type 7869-000-05	Heavy Duty Acoustic Release Frame (15 Tonnes SWL)
Type 7409-000-01	Oceanographic Release Transponder (Alkaline)
Type 7409-000-02	Oceanographic Release Transponder (Lithium)
Type 7710-000-01	Deep Oceanographic Release Transponder (Alkaline)
Type 7710-000-02	Deep Oceanographic Release Transponder (Lithium)

Spare master links and lower link assemblies available as spares